

APPENDIX A: GEOMETRIES INVESTIGATED

The typical geometries investigated in the current research are shown in Fig. B.1, with various geometric parameters labeled on it. The variation of the geometric parameters as labeled in the figures has been varied so as to obtain different configurations. The combinations of geometric parameters for various geometric configurations have been listed in the table B.1.

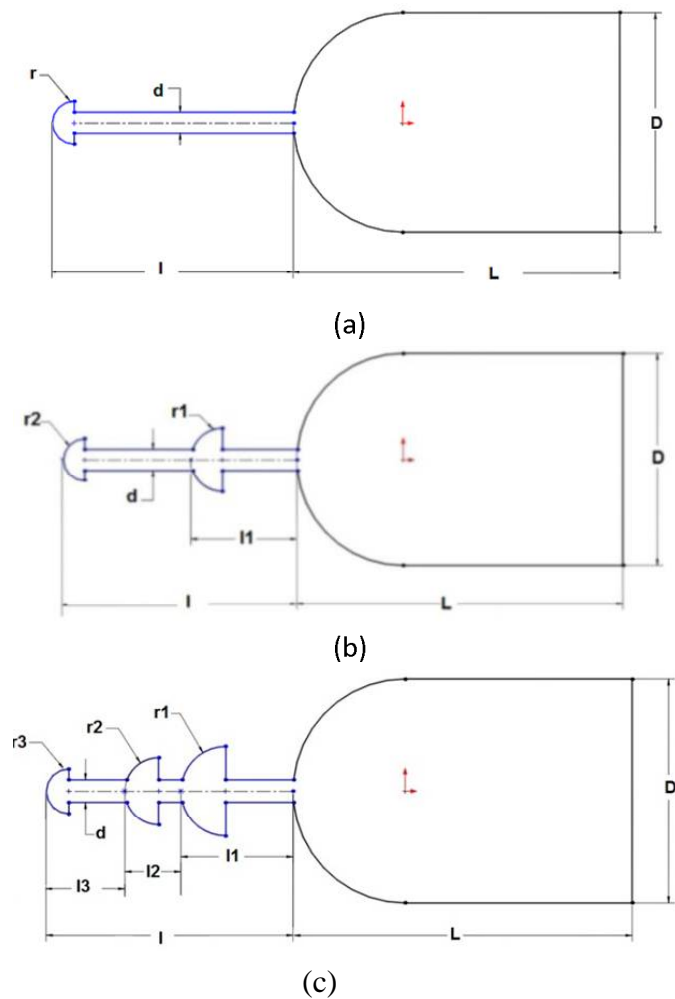


Fig.B.1: Typical Geometries Investigated: (a) Single disk, (b) double disk, (c) Triple disk

Table B.1: Variation of Geometric Parameters

Sl. No	l/D	No. of Disk	l_1/l	$l'=l_2/(l_2+l_3)$	Aerodisk radius r_1 (mm)	Aerodisk radius r_2 (mm)	Aerodisk radius r_3 (mm)
1	1	1			2		
2	1	1			4		
3	1	1			6		
4	1	1			8		
5	1	2	0.25		4	2	
6	1	2	0.5		4	2	
7	1	2	0.75		4	2	
8	1	2	0.25		6	4	
9	1	2	0.5		6	4	
10	1	2	0.75		6	4	
11	1	2	0.25		8	6	
12	1	2	0.5		8	6	
13	1	2	0.75		8	6	
14	1	3	0.25	0.25	6	4	2
15	1	3	0.25	0.5	6	4	2
16	1	3	0.25	0.75	6	4	2
17	1	3	0.5	0.25	6	4	2
18	1	3	0.5	0.5	6	4	2
19	1	3	0.5	0.75	6	4	2
20	1	3	0.75	0.25	6	4	2
21	1	3	0.75	0.5	6	4	2
22	1	3	0.75	0.75	6	4	2
23	1	3	0.25	0.25	8	6	4
24	1	3	0.25	0.5	8	6	4
25	1	3	0.25	0.75	8	6	4
26	1	3	0.5	0.25	8	6	4
27	1	3	0.5	0.5	8	6	4
28	1	3	0.5	0.75	8	6	4
29	1	3	0.75	0.25	8	6	4
30	1	3	0.75	0.5	8	6	4
31	1	3	0.75	0.75	8	6	4

32	1.5	1			2		
33	1.5	1			4		
34	1.5	1			6		
35	1.5	1			8		
36	1.5	2	0.25		4	2	
37	1.5	2	0.5		4	2	
38	1.5	2	0.75		4	2	
39	1.5	2	0.25		6	4	
40	1.5	2	0.5		6	4	
41	1.5	2	0.75		6	4	
42	1.5	2	0.25		8	6	
43	1.5	2	0.5		8	6	
44	1.5	2	0.75		8	6	
45	1.5	3	0.25	0.25	6	4	2
46	1.5	3	0.25	0.5	6	4	2
47	1.5	3	0.25	0.75	6	4	2
48	1.5	3	0.5	0.25	6	4	2
49	1.5	3	0.5	0.5	6	4	2
50	1.5	3	0.5	0.75	6	4	2
51	1.5	3	0.75	0.25	6	4	2
52	1.5	3	0.75	0.5	6	4	2
53	1.5	3	0.75	0.75	6	4	2
54	1.5	3	0.25	0.25	8	6	4
55	1.5	3	0.25	0.5	8	6	4
56	1.5	3	0.25	0.75	8	6	4
57	1.5	3	0.5	0.25	8	6	4
58	1.5	3	0.5	0.5	8	6	4
59	1.5	3	0.5	0.75	8	6	4
60	1.5	3	0.75	0.25	8	6	4
61	1.5	3	0.75	0.5	8	6	4
62	1.5	3	0.75	0.75	8	6	4
63	2	1			2		
64	2	1			4		
65	2	1			6		
66	2	1			8		

67	2	2	0.25		4	2	
68	2	2	0.5		4	2	
69	2	2	0.75		4	2	
70	2	2	0.25		6	4	
71	2	2	0.5		6	4	
72	2	2	0.75		6	4	
73	2	2	0.25		8	6	
74	2	2	0.5		8	6	
75	2	2	0.75		8	6	
76	2	3	0.25	0.25	6	4	2
77	2	3	0.25	0.5	6	4	2
78	2	3	0.25	0.75	6	4	2
79	2	3	0.5	0.25	6	4	2
80	2	3	0.5	0.5	6	4	2
81	2	3	0.5	0.75	6	4	2
82	2	3	0.75	0.25	6	4	2
83	2	3	0.75	0.5	6	4	2
84	2	3	0.75	0.75	6	4	2
85	2	3	0.25	0.25	8	6	4
86	2	3	0.25	0.5	8	6	4
87	2	3	0.25	0.75	8	6	4
88	2	3	0.5	0.25	8	6	4
89	2	3	0.5	0.5	8	6	4
90	2	3	0.5	0.75	8	6	4
91	2	3	0.75	0.25	8	6	4
92	2	3	0.75	0.5	8	6	4
93	2	3	0.75	0.75	8	6	4
94	2.5	1			2		
95	2.5				4		
96	2.5	1			6		
97	2.5	1			8		
98	2.5	2	0.25		4	2	
99	2.5	2	0.5		4	2	
100	2.5	2	0.75		4	2	
101	2.5	2	0.25		6	4	

102	2.5	2	0.5		6	4	
103	2.5	2	0.75		6	4	
104	2.5	2	0.25		8	6	
105	2.5	2	0.5		8	6	
106	2.5	2	0.75		8	6	
107	2.5	3	0.25	0.25	6	4	2
108	2.5	3	0.25	0.5	6	4	2
109	2.5	3	0.25	0.75	6	4	2
110	2.5	3	0.5	0.25	6	4	2
111	2.5	3	0.5	0.5	6	4	2
112	2.5	3	0.5	0.75	6	4	2
113	2.5	3	0.75	0.25	6	4	2
114	2.5	3	0.75	0.5	6	4	2
115	2.5	3	0.75	0.75	6	4	2
116	2.5	3	0.25	0.25	8	6	4
117	2.5	3	0.25	0.5	8	6	4
118	2.5	3	0.25	0.75	8	6	4
119	2.5	3	0.5	0.25	8	6	4
120	2.5	3	0.5	0.5	8	6	4
121	2.5	3	0.5	0.75	8	6	4
122	2.5	3	0.75	0.25	8	6	4
123	2.5	3	0.75	0.5	8	6	4
124	2.5	3	0.75	0.75	8	6	4
125	2.5	3	0.25	0.25	10	8	6
126	2.5	3	0.25	0.5	10	8	6
127	2.5	3	0.25	0.75	10	8	6
128	2.5	3	0.5	0.25	10	8	6
129	2.5	3	0.5	0.5	10	8	6
130	2.5	3	0.5	0.75	10	8	6
131	2.5	3	0.75	0.25	10	8	6
132	2.5	3	0.75	0.5	10	8	6
133	2.5	3	0.75	0.75	10	8	6